

CV40 & CV50 BLANK BARS

134

BT30 & BT40 BLANK BARS

134

HSK40A & HSK50A BLANK BARS

135

HSK63A & HSK100A BLANK BARS

135

HSK40E & HSK50E BLANK BARS

135

HSK63E & HSK63F BLANK BARS

135



SHELL MILL
HOLDERS

END MILL
HOLDERS

MILLING
CHUCKS

SHRINK FIT
HOLDERS

COLLET
CHUCKS

RADIAL
COMP.
HOLDERS

DRILL
CHUCKS

TAP
HOLDERS

BLANK
BARS

RETENTION
STUDS

ACCESSORIES

TECHNICAL
INFO.

INDEX

SHELL MILL
HOLDERS

END MILL
HOLDERS

MILLING
CHUCKS

SHRINK FIT
HOLDERS

COLLET
CHUCKS

RADIAL
COMP.
HOLDERS

DRILL
CHUCKS

TAP
HOLDERS

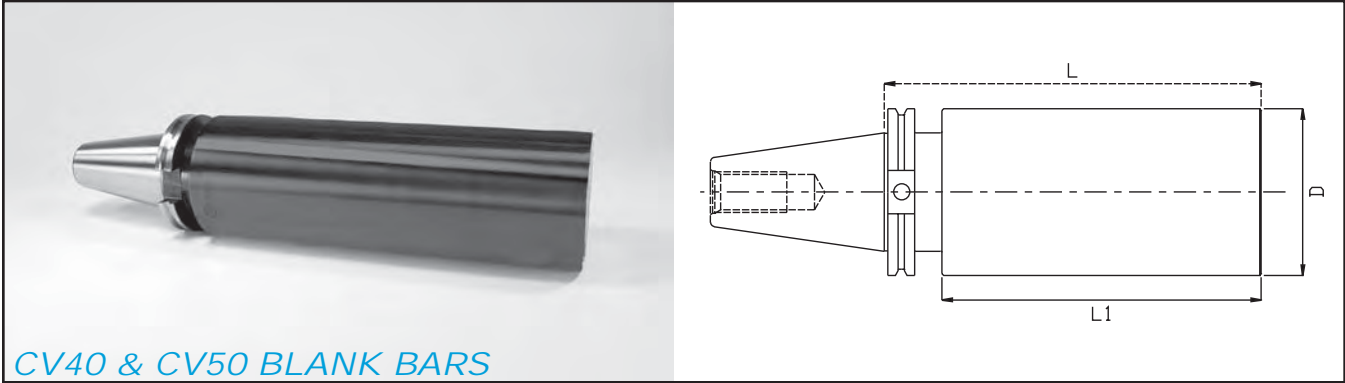
BLANK
BARS

RETENTION
STUDS

ACCESSORIES

TECHNICAL
INFO.

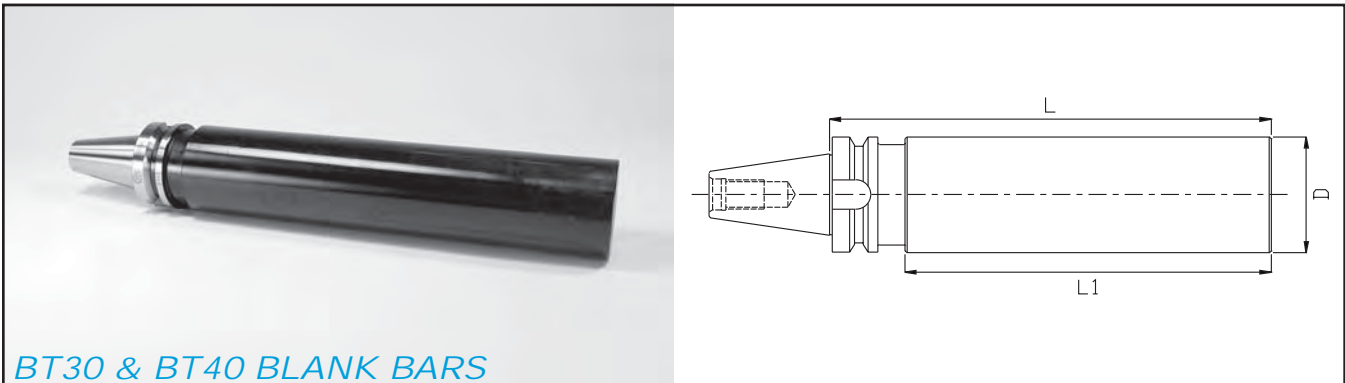
INDEX



CV40 & CV50 BLANK BARS

PART NUMBER	TAPER	ØD	L	L1
CV40-BB-13.00	CV40	2.50"	13.00"	11.58"
CV50-BB-13.00	CV50	3.87"	13.00"	11.58"
CV50-BB-17.00	CV50	3.87"	17.00"	15.58"

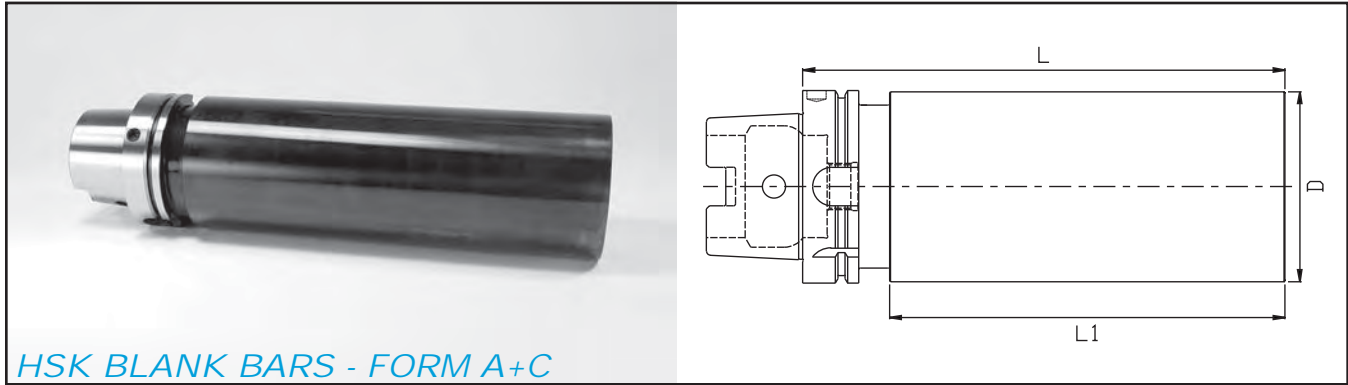
- NOTES:
- TAPERS ARE FINISH GROUND AND HARDENED.
 - BLANK END IS MACHINEABLE. HARDNESS IS 38 - 40 HRC.
 - SPECIAL SIZED BLANKS ARE AVAILABLE UPON REQUEST.



BT30 & BT40 BLANK BARS

PART NUMBER	TAPER	ØD	L	L1
BT30-BB-8.00	BT30	2.25"	8.00"	6.35"
BT40-BB-13.00	BT40	2.50"	13.00"	11.35"

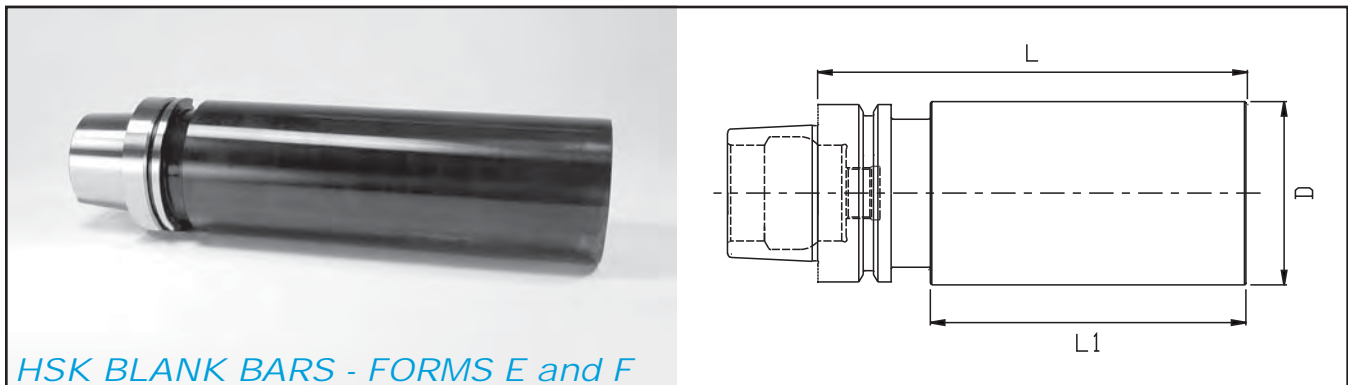
- NOTES:
- TAPERS ARE FINISH GROUND AND HARDENED.
 - BLANK END IS MACHINEABLE. HARDNESS IS 38 - 40 HRC.
 - SPECIAL SIZED BLANKS ARE AVAILABLE UPON REQUEST.



HSK BLANK BARS - FORM A+C

PART NUMBER	TAPER	ØD	L	L1
HSK40A-BB-5.90	HSK40A	1.97"	5.90"	4.52"
HSK50A-BB-7.87	HSK50A	2.48"	7.87"	6.22"
HSK63A-BB-13.00	HSK63A	2.50"	13.00"	11.34"
HSK100A-BB-13.00	HSK100A	3.87"	13.00"	11.23"
HSK100A-BB-17.00	HSK100A	3.87"	17.00"	15.23"

- NOTES:**
- TAPERS ARE FINISH GROUND AND HARDENED.
 - BLANK END IS MACHINEABLE. HARDNESS IS 38 - 40 HRC.
 - ADDITIONAL HSK BLANKS ARE AVAILABLE UPON REQUEST.
 - SPECIAL SIZED BLANKS ARE AVAILABLE UPON REQUEST.



HSK BLANK BARS - FORMS E and F

PART NUMBER	TAPER	ØD	L	L1
HSK40E-BB-5.90	HSK40E	1.97"	5.90"	4.52"
HSK50E-BB-7.87	HSK50E	2.48"	7.87"	6.22"
HSK63E-BB-7.87	HSK63E	2.48"	7.87"	6.22"
HSK63F-BB-7.87	HSK63F	2.48"	7.87"	6.22"

- NOTES:**
- TAPERS ARE FINISH GROUND AND HARDENED.
 - BLANK END IS MACHINEABLE. HARDNESS IS 38 - 40 HRC.
 - ADDITIONAL HSK BLANKS ARE AVAILABLE UPON REQUEST.
 - SPECIAL SIZED BLANKS ARE AVAILABLE UPON REQUEST.

SHELL MILL HOLDERS

END MILL HOLDERS

MILLING CHUCKS

SHRINK FIT HOLDERS

COLLET CHUCKS

RADIAL COMP. HOLDERS

DRILL CHUCKS

TAP HOLDERS

BLANK BARS

RETENTION STUDS

ACCESSORIES

TECHNICAL INFO.

INDEX